

# UTB5 Temperature Pressure Integration Transmitter

## Description

UTB5 temperature pressure integration transmitter is made by using isolated pressure sensor, temperature sensor and special amplifying circuit. This transmitter transforms the pressure and temperature of the measured medium to 4~20mA or other standard signal separately. By using integrated construction, UTB5 can measure pressure and temperature of one spot simultaneously, it is suitable for use in places where one requires not only pressure measurement, but also temperature measurement simultaneously.

UTB5 uses special sealed structure, has good performance against leakage and long term stability. UTB5 features high accuracy, long service life and easy installation etc.

UTB5 has been widely used in scientific research, defense industry, petrochemical industry, electric power, metallurgy machinery, environmental protection, oil well temperature pressure measurement, diesel engine axle temperature pressure measurement, injection molding mechanical temperature pressure measurement, etc.

## Features

- Measure temperature and pressure simultaneously, save cost
- High accuracy, good stability
- Wide operating temperature range
- Anti-impact, vibration resistance
- Compact size, easy installation



## Specifications

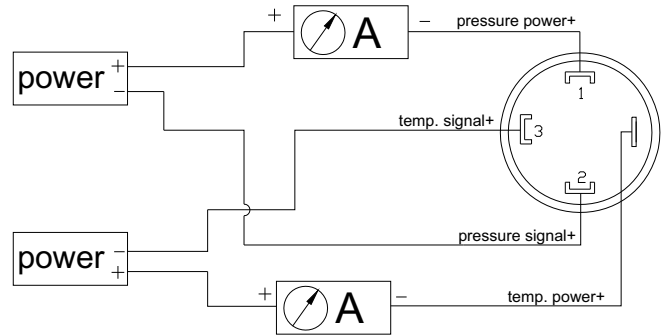
measuring material / medium	gas or liquid compatible stainless steel
measured temperature range	0°C~+140°C
measuring accuracy of temperature	0.5%FS, 1%FS
output signal of temperature	4~20mA
measured pressure range	0~10...2500bar
measuring accuracy of pressure	0.25%FS, 0.5%FS
output signal of pressure	4~20mA (0~5V, 1~5V optional)
working temperature range	-20°C~+85°C
compensated temperature range	-10°C~+70°C
storage temperature range	-40°C~+125°C
temperature limit	120% of measured range
power supply	12~32VDC
long term stability	0.15%FS/year
load resistance	>500Ω(24V supply)
circuit temperature shift	<±0.75%FS/50°C
response time	<5ms
insulation resistance	>500MΩ@50VDC
process connection	G1/2 or others
electrical connection	hirschmann connector or others
material of housing	stainless steel
protection	IP65

# UTB5 Temperature Pressure Integration Transmitter

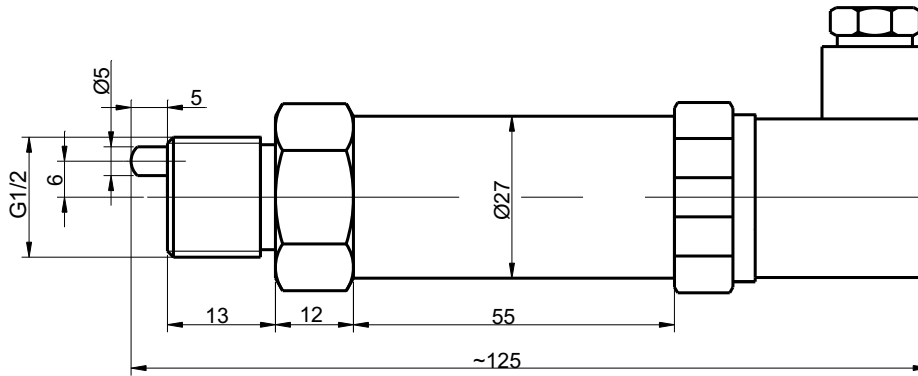
## Electrical connection

Connection                      Cable color(pin)

Pressure power“+”	Red(1)
Pressure signal“+”	Black(2)
Temperature power“+”	Green(□)
Temperature signal“+”	White(3)



## Dimensions



## Ordering code

UTB5					
	pressure	measuring range: 0~10...2500bar			
	temperature	measuring range: 0°C~+140°C			
	(X1~X2)	X1-lower limit of measured, X2-higher limit of measured			
		code	output signal of temperature and pressure		
		O1	4~20mA		
		O2	0~5V		
		O3	1~5V		
		code	measuring accuracy of temperature and pressure		
		C	0.25%FS		
		D	0.5%FS		
		E	1%FS		
		code	process connection		
	P2	G1/2			
	P4	M20×1.5			
	P5	1/2NPT			
	Pz	customer request			
	code	electrical connection			
	E1	hirschmann connector			
	E2	aviation connector			
	Ez	customer request			
UTB5	(0~200)bar/ (0~80)°C	O1/O1	D/E	P2	E1